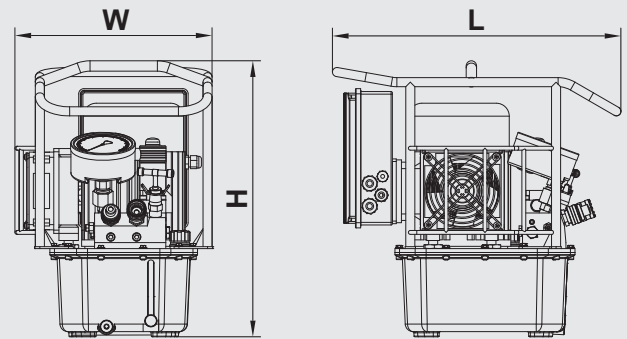


## LAPP3 *Electric Pump*

- Compact three-stage pump
- The Single valve block can be replaced by component FP-4, thereby allowing 2 or 4 Tools to be driven simultaneously
- Three stage induction motor driven so brushless
- Oil cooler, supporting continuous operation with steel frame
- 4" diameter gauge, aluminium oil tank with oil level indicator
- Variable pressure adjustment between 1000~10000 Psi
- Designed for continuous operation



Model	LAPP3-2	LAPP3-4
Working pressure	10000 Psi	10000 Psi
Drive	Electric	Electric
Voltage	220~230 V / 50 Hz	220~230 V / 50 Hz
Power (HP)	1.5	1.5
Tank capacity (Gallon)	1.45	1.45
Flow rate (cu.in/min)	335.5/85.4/42.7	335.5/85.4/42.7
Oil cooler	Yes	Yes
Weight ( lbs )	59	62
Oil outputs	4 x 1/4" NPT 17.52	8 x 1/4" NPT
LxWxH ( inch )	X 11.97X 16.77	18.15 X 11.97 X 16.77



## LAPP4 *Pneumatic Pump*

- Compact three-stage pump
- The Single valve block can be replaced by component FP-4, thereby allowing 2 or 4 Tools to be driven simultaneously
- Three stage with air drive
- Supporting continuous operation with steel frame
- 4" diameter gauge, aluminium oil tank with oil level indicator
- Variable pressure adjustment between 1000~10000 Psi
- Designed for continuous operation



Model	LAPP4-2	LAPP4-4
Working pressure	10000 Psi	10000 Psi
Drive	Air	Air
Air Pressure	58~116 Psi	58~116 Psi
Power (HP)	4.0	4.0
Tank capacity (Gallon)	1.45	1.45
Flow rate (cu.in/min)	610/134/67	610/134/67
Oil cooler	N/A	N/A
Weight ( lbs )	39	44
Oil outputs	4 x 1/4" NPT	8 x 1/4" NPT
LxWxH ( inch )	17.40 X 11.10 X 14.84	18.11 X 11.10 X 14.84

