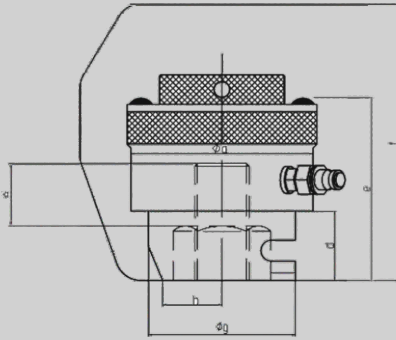




Spring Return Bolt Tensioner



- Equipped with safety relief valve to prevent over stroke
- Double oil inlet / outlet
- Misalignment compensation
- Piston stroke indicator
- Maximum operating pressure 1500 Bar
- Customizable

Tensioner	Bolt	DIA	TOOL HYD		Max Load	Weight	a	b	c	d	e	f	g			
	in	mm	in	mm										kN	kg	mm
LMA-0	3/4"	M20	1 1/4"	30	143.5	1.3	66.0	25.0	62.0	34.5	91.5	129.0	62.0			
	7/8"	M22	1 7/16"	34				25.0	62.0	34.5	91.5	132.0	62.0			
LMA-1	1"	M24	1 5/8"	36	284.96	3.5	90.0	31.9	68.0	43.0	123.5	167.0	75.0			
	1-1/8"		1-13/16"					31.7	80.0	46.0	126.5	174.0	75.0			
LMA-2	1"	M24	1 5/8"	36	458.3	5.5	109.0	30.0	75.0	38.0	128.6	172.0	75.0			
		M27		41												
	1-1/8"	M30	1-13/16"	46				30.2	80.0	41.0	131.6	180.0	80.0			
	1-1/4"	M33	2"	50				36.9	88.0	44.0	134.6	186.0	92.0			
LMA-3	1-3/8"	M36	2-3/16"	55	665.8	8.7	126.0	38.3	96.0	47.0	137.6	192.0	96.0			
	1-1/4"	M33	2"	50				36.9	88.0	44.0	137.0	188.0	96.0			
	1-3/8"	M36	2-3/16"	55				38.3	96.0	47.0	140.0	194.5	96.0			
	1-1/2"	M39	2-3/8"	60				42.0	96.0	50.4	143.4	196.0	103.0			
LMA-4	1-5/8"	M42	2-9/16"	65	1003.3	13.1	146.0	41.1	108.0	53.5	146.5	207.5	108.0			
	1-1/2"	M39	2-3/8"	60				42.0	113.0	50.0	149.0	207.0	113.0			
	1-5/8"	M42	2-9/16"	65				45.5	113.0	53.5	152.5	213.5	113.0			
	1-3/4"	M45	2-3/4"	70				52.1	118.0	57.0	156.0	220.0	118.0			
LMA-5	1-7/8"	M48	2-15/16"	75				51.0	114.0	60.0	159.0	226.0	124.0			
	2"		3-1/8"	80				52.0	120.0	63.0	162.0	233.0	128.0			
LMA-6	2"	M52	3-1/8"	80	1296.9	21	174.0	52.0	127.0	63.0	163.0	235.0	140.0			
	2-1/4"	M56	3-1/2"	85				58.0	138.0	69.5	169.0	247.0	148.0			
	2-1/4"	M56	3-1/2"	85				1511.1	20.4	184.0	58.0	138.0	69.5	169.4	249.0	148.0
		M60		90							63.2	153.0	76.0	175.0	262.0	153.0
LMA-7	2-3/4"	M64	3-7/8"	95	2087.4	31.4	220.0	76.0	164.0	82.0	181.9	275.0	164.0			
	2-3/4"	M70	4-1/4"	103				85.0	157.0	82.0	182.0	275.0	173.0			
	2-3/4"	M72	4-1/4"	105				85.0	157.0	82.0	182.0	275.0	173.0			
LMA-8	3"	M76	4-5/8"	110	2444.5	37.2	240.0	80.0	180.0	89.0	189.0	288.0	180.0			
	3"	M76	4-5/8"	110				80.0	180.0	89.0	192.5	291.5	180.0			
		M80		115												
	3-1/4"	M85	5"	120				95.0	190.0	95.0	198.5	303.5	190.0			
LMA-9	3-1/2"	M90	5-3/8"	130	3258.0	51.7	272.0	102.5	205.0	101.0	204.5	316.5	205.0			
	3-3/4"	M95	5-3/4"	135				93.6	200.0	107.0	211.0	330.0	225.0			
	4"	M100	6-1/8"	145				103.0	210.0	114.0	218.0	345.0	235.0			
LMA-10	4-1/4"	M105		150	3814.1	68.5	294.0	112.0	225.0	120.0	228.0	365.0	250.0			
		M110		155				112.0	225.0	120.0	228.0	365.0	250.0			
		M115		165												
	4-1/2"							118.0	236.0	126.0	235.0	380.0	270.0			