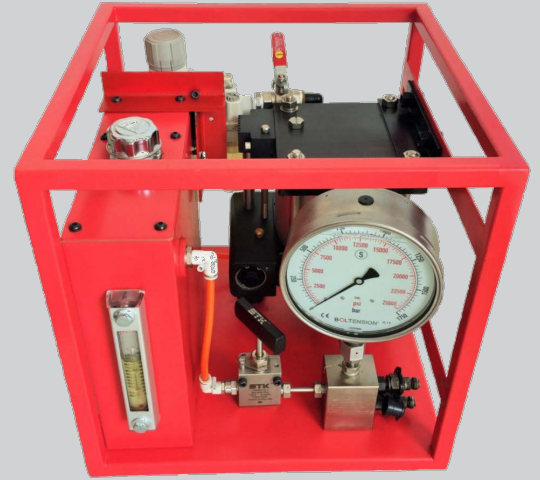


HBP150-2 SERIES

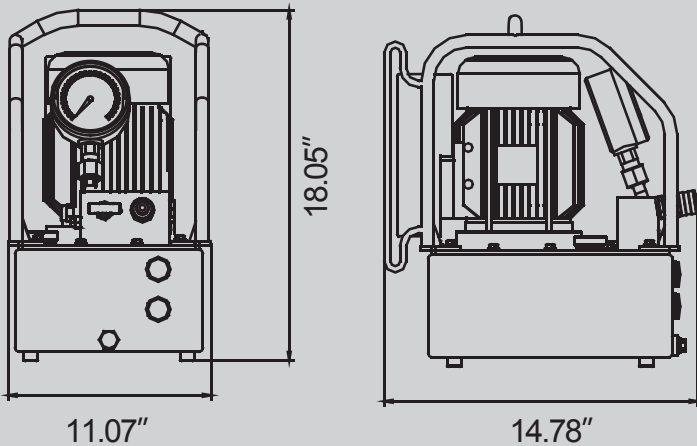
High Pressure Air/Electrical Tensioning Pump

Technical Data

SUPPLY Air/Electric	90 psi @ 45 cfm	220~230V/50Hz	220~230V/50Hz
Oil Capacity (Gallon)	2.11	2.11	2.11
Flow Rate (cu.in/min)	122/1.95	122/1.95	122/1.22
Output Pressure	22750 Psi	29000 Psi	36250 Psi
Output Port Size	1/4" BSP	1/4" BSP	1/4" BSP
Power (HP)	1.2	1.2	1.2
Weight (lbs)	38.30	58.30	58.30

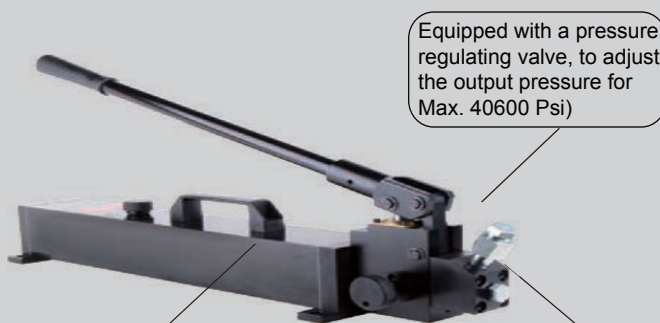


- * Single-Acting High performance
- * Can be used for bolt tensioning and other HP equipment in the shipping vessel & wind power industry
- * Convenient adjustable pressure regulator with a high precision pressure gauge
- * Easy to adjust the pressure in the range of 10150~36250 Psi
- * Simple and quick operation with the high performance quick connect couplings
- * Very user friendly for site work due to its light weight compact design



High Pressure Hydraulic Hand Pump (1500Bar with gauge)

16P80



Equipped with a pressure regulating valve, to adjust the output pressure for Max. 40600 Psi)

Aluminum titanium alloy corrosion resistance, high strength, light weight, impact resistant, durable in a variety of harsh environments.

The built-in high and low pressure switching valve, allows for a low pressure high flow rate output.



These high pressure hydraulic hand pumps are designed for high pressure hydraulic equipment. Its pressure is adjustable up to 40600 Psi, and customers can order also different size oil tanks for different applications. ATW provides a wide range of accessories for this series, and these products are designed for high accuracy applications, and so are fully TUV certified.