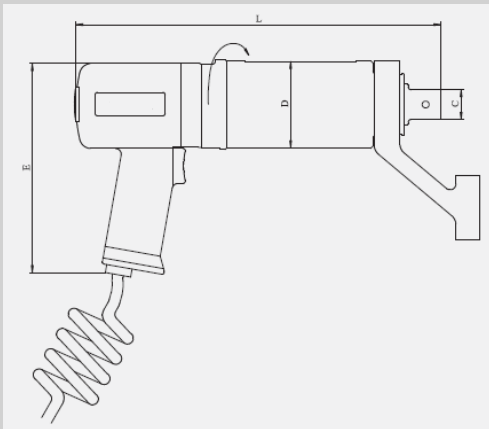


## Single Speed Pneumatic Torque Gun



- LPSW-06-PSW-15, with ergonomic plastic handle, 6bar, 600L/min
- LPSW-21-PSW-100, with aluminum alloy handle, 7bar, 800L/min
- Powerful Torque Gun with a low noise output of less than 80dB(A)
- Free connecting power handle to gear box, so tool can be rotated 360°
- Has a single speed gearbox, so its light weight and small size makes it easy for the user to operate
- Very suitable for continuous working conditions eg. in production assembly or maintenance. Accuracy  $\pm 5\%$ , Consistency  $\pm 3\%$



Description	Torque (Nm)	SQD Size	D (mm)	L (mm)	E (mm)	SPEED (rpm)	WEIGHT (Kg)
LPSW-10	142~939	3/4"	75	324	172	28	4.9
LPSW-15	200~1550	1"	77	358	172	20	5.9
LPSW-21	266~2050	1"	81	393	172	6	7.5
LPSW-28	500~3100	1"	81	393	172	6	7.5
LPSW-39	600~4300	1-1/2"	88	411	172	4.1	8.9
LPSW-58	800~6200	1-1/2"	113	439	172	3.8	14.8
LPSW-80	940~8300	1-1/2"	120	451	172	1.2	16
LPSW-100	1600~10100	1-1/2"	128	463	172	1.4	18.8